

SPECIFICATION & INSTALLATION GUIDE

FREEFRAME FP7 v3
Mobile Stand for Flat Panel Display
with Motorized Raise and Lower



www.gilkon.com.au

email: sales@gilkon.com.au
phone: (02) 99140900
fax: (02) 99140901

CONTENTS

1. DISCLAIMER	Page 2
2. WARNINGS & SAFETY INSTRUCTIONS	Page 3
3. PACKAGE CONTENTS	Page 4
4. SPECIFICATIONS	Page 5-6
5. INSTALLATION: Attach feet & gussets	Page 7
6. INSTALLATION: Stand FREEFRAME FP7 v3 upright	Page 8
7. INSTALLATION: Attaching the display	Page 9
8. INSTALLATION: Attach laptop shelf (optional)	Page 10
9. INSTRUCTION: Raising & lowering	Page 11
10. INSTRUCTION: Moving FREEFRAME FP7 v3	Page 12

1. DISCLAIMER

Wilson & Gilkes Pty Ltd, intends to make this manual accurate and complete. However, Wilson & Gilkes Pty Ltd makes no claim that the information contained herein covers all details, conditions or variations, nor does it provide for every possible contingency in connection with the installation or use of this product. Information contained in this document is subject to change without notice or obligation of any kind. Wilson & Gilkes makes no representation of warranty, expressed or implied, regarding the information contained herein. Wilson & Gilkes assumes no responsibility for accuracy, completeness or sufficiency of the information contained in this document.

2. WARNINGS & SAFETY INSTRUCTIONS

Failure to read, understand and follow all instructions can result in serious personal injury, damage to equipment or voiding warranty. It is the installer's responsibility to make sure all components are properly installed using the instructions provided.



WARNING!

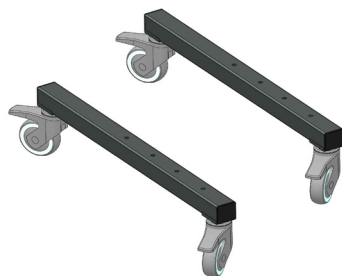
- Installation & assembly work must be carried out by properly licenced technicians or qualified trades people.
- Incorrect installation can cause the FREEFRAME FP7 v3 unit to fall and cause injury. This company assumes no responsibility for injuries or damages that may occur due to improper installation and handling.
- The unit is designed for use with specific products and weight. Exceeding maximum weight capacity to the moving frame may damage product and equipment and could lead to serious personal injury.
- Adhering to proper installation instructions is critical in ensuring all components function properly. A small difference in installation can lead to a severely skewed and distorted projection image. In order to obtain a square image without the use of digital adjustment of the projector, follow the step by step instructions as shown.
- Installation will require the lifting of heavy components. A minimum of two people are required.
- Fully tighten all mounting screws as specified in the installation instructions. However, attachment points can be damaged if a power drill is used to tighten screws. Screws should be turned by hand first before tightening with a hex key. Do not over tighten screws. Check fasteners regularly to avoid parts becoming loose.
- Do not allow children to climb onto the frame
- Make sure cables are not caught between moving parts to ensure cables will not be damaged. Cable tie all loose cables to avoid damage.
- Watch your head when lowering the board. The projector will lower to head height. Injury can occur from possible collision with head. Do not stand directly underneath the projector.
- When the FREEFRAME FP7 v3 is not in use, lock the castors.
- Make sure the fully raised height of the FREEFRAME FP7 v3 does not exceed the height of the building/room the FREEFRAME FP7 v3 will be used in.

3. PACKAGE CONTENTS

NOTE: Packaged contents may look different to content shown in diagrams



Electric Mobile
FREEFRAME FP7 v3
Frame
(Qty: 1)



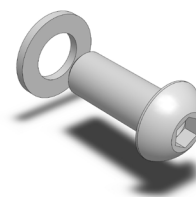
Feet
(Qty: 2)



Gusset
(Qty: 4)



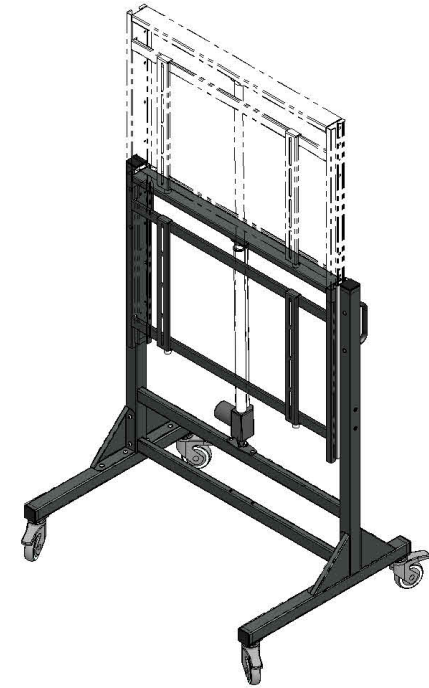
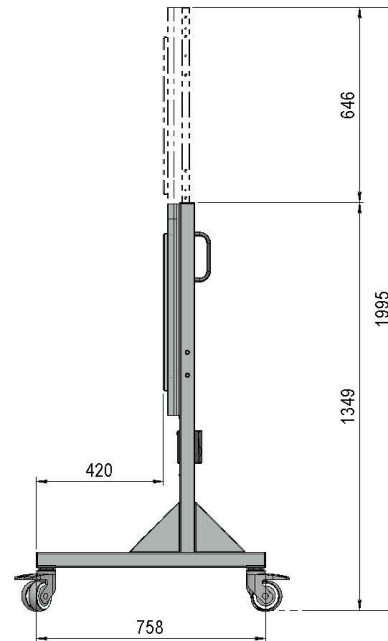
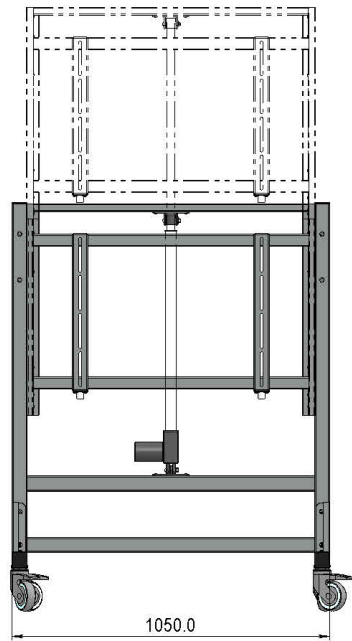
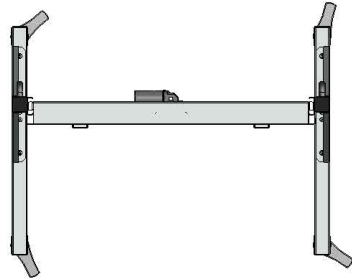
ALLEN KEY
(Qty: 1)



Fastener kit
(Qty: 16)

4. SPECIFICATIONS

Mobile Stand for
Flat Panel Displays
with Motorized
Raise and Lower
Model: FP7 v3



Gilkon[®] FP7A v3 by Wilson & Gilkes conforms to AS 6065:2003 for stability and mechanical hazards.

Component/ Feature	Specifications	Description	Reference page
WEIGHT			
FREEFRAME FP7 v3	Approx 42kg	FREEFRAME FP7 v3 assembled	
MAXIMUM WEIGHT CAPACITY			
	120kg		
MOVEMENT			
Total Lift	600mm		Page 5
DIMENSIONS			
Height (raised)	1995mm	Height of FREEFRAME FP7 v3 when fully raised	Page 5
Height (closed)	1349mm	Height of FREEFRAME FP7 v3 when fully closed	Page 5
Depth	758mm	Depth of FREEFRAME FP7 v3	Page 5
Width	1050mm	Width of fully assembled FREEFRAME FP7 v3 without display screen attached	Page 5

5. INSTALLATION: Attach feet & gussets

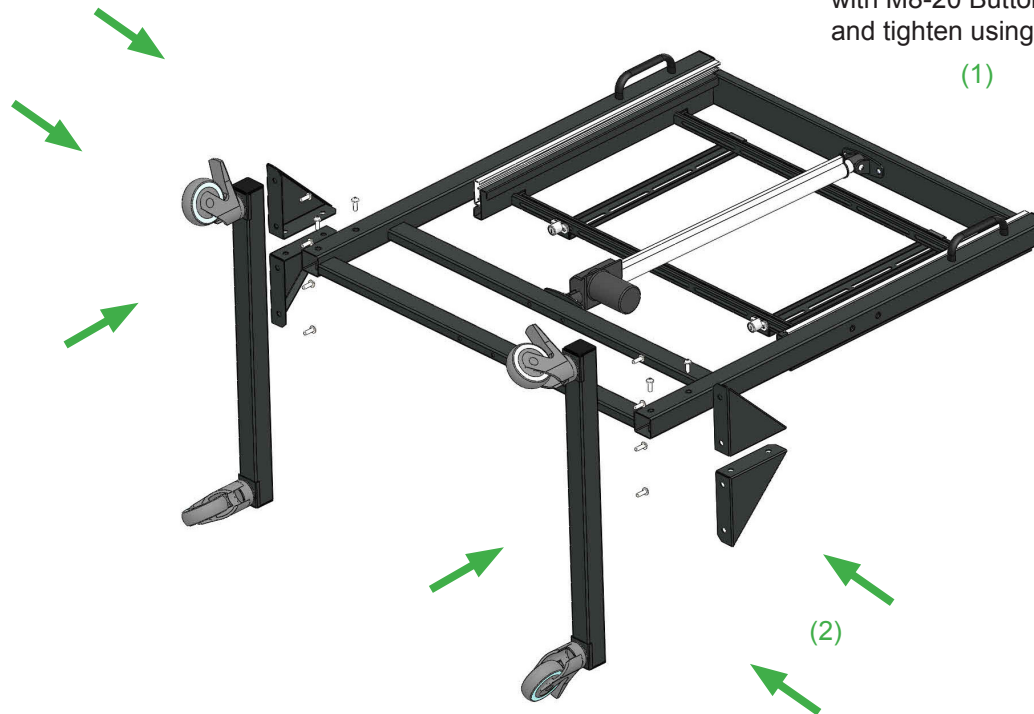


WARNING!

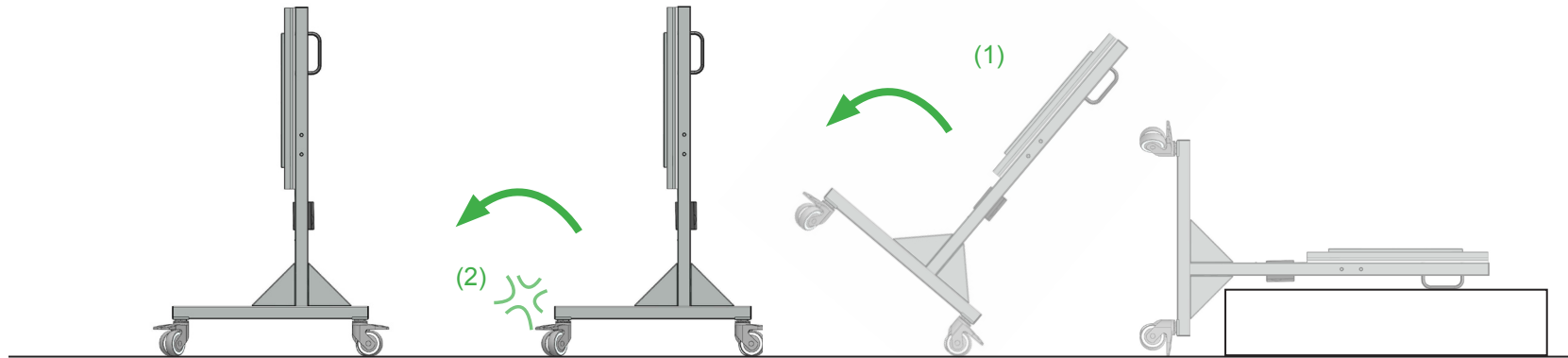
- FREEFRAME FP7 v3 UNIT EXCEEDS 15KG. TWO MEN OPERATION REQUIRED.

(1) Lift FREEFRAME FP7 v3 out of the carton. If required, use the carton as support for the attaching the feet.

(2) Attached the feet & gussets to the uprights of the FREEFRAME FP7 v3 frame assembly with M8-20 Button Head Allen Screws supplied and tighten using supplied Allen Key.



6. INSTALLATION: Stand FREEFRAME FP7 v3 upright



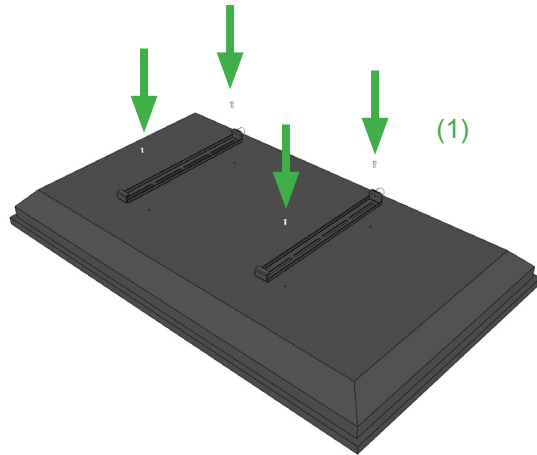
WARNING!

- Apply brakes to castors

(1) Once the feet are attached, tilt the FREEFRAME FP7 v3 assembly forward to stand on the castors on the feet.

(2) Lock the castors in place to stop the FREEFRAME FP7 v3 from moving.

7. INSTALLATION: Attaching the display



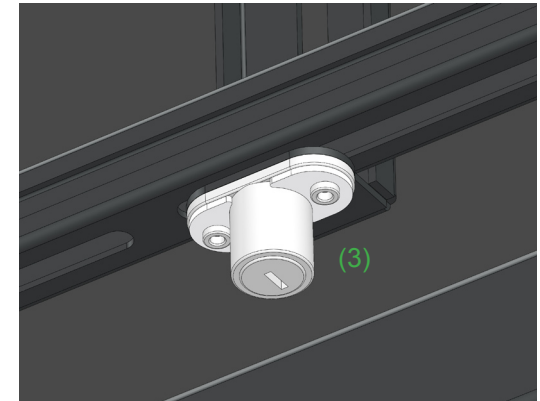
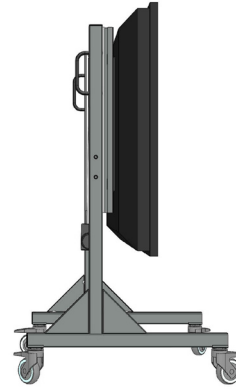
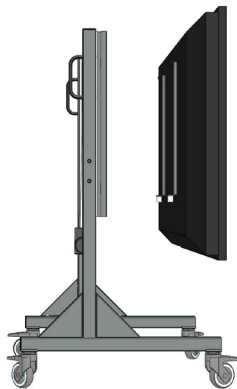
(1) To mount the display onto the mobile stand, attach hook arms to the mounting points at the back of the display. The lock of the hook arms should be at the lower side of the display screen.

NOTE: Make sure the hook arms are aligned horizontally, or the picture will become skewed.

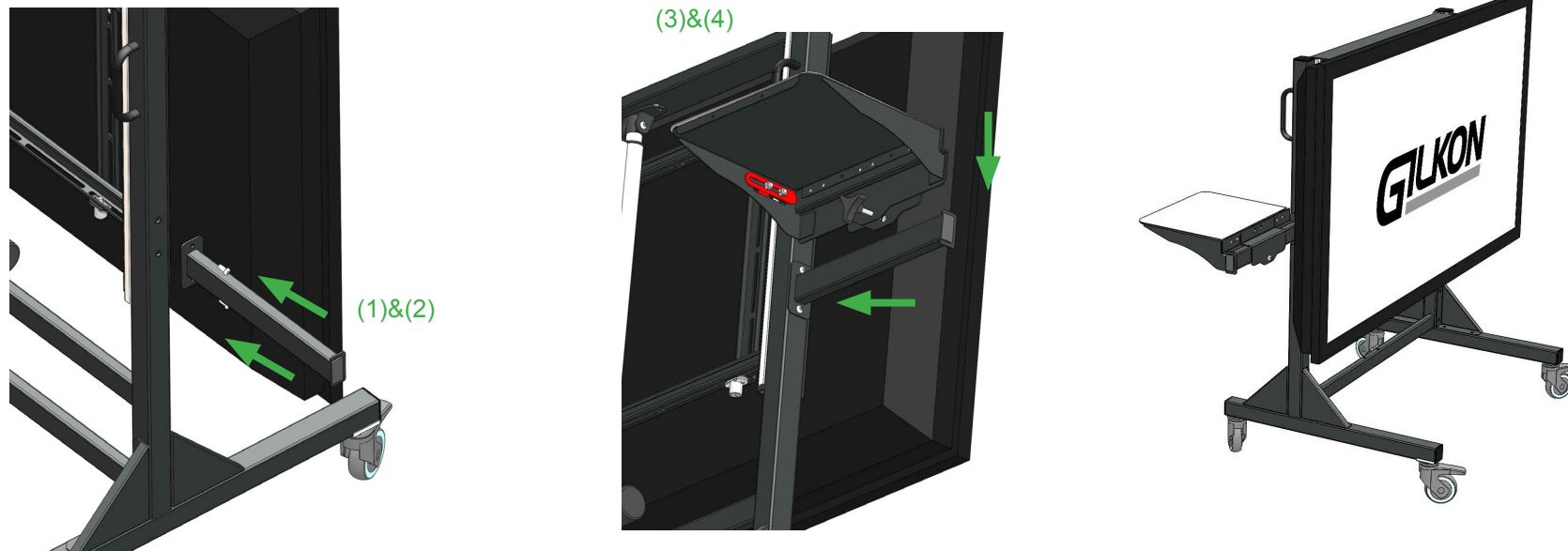
(2) Hook the hook arms on the back of the display onto the crossbars on the frame of the mobile stand (as shown). Adjust the screen horizontally along the crossbar until it is in the desired position. When the display is in the desired position, push the locks upwards so the pin of the lock engages the slot on the underside of the crossbar.

CAUTION: Due to the weight of the display screens and the height of the mounting crossbars, the lifting of the display should be done by a minimum of two people.

(3) To unlock/release the screen, turn the key to release the spring loaded pin in the lock.

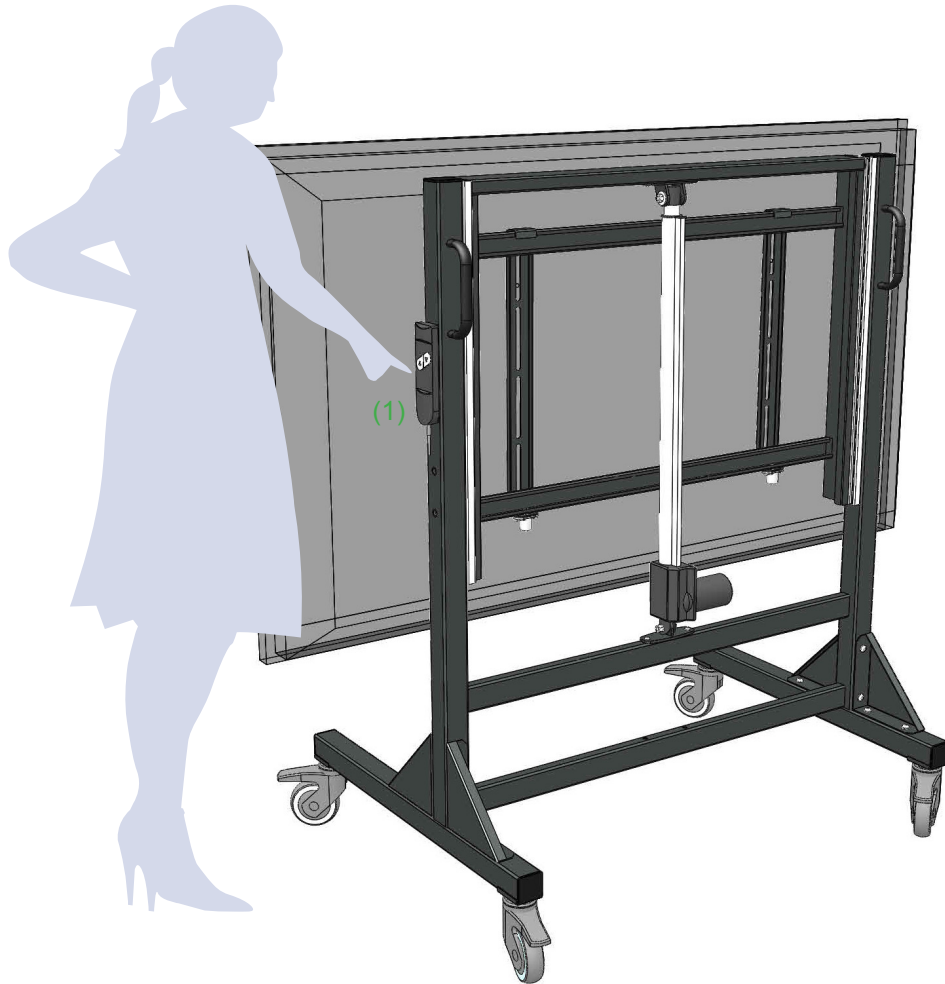


8. INSTALLATION: Attach laptop shelf (OPTIONAL)



- (1) Pick the side the laptop shelf is to be installed.
- (2) Attach the support arm (as shown) to the mobile stand with 2 M8 x 16 button head screws. Firmly tighten screws with supplied Allen key.
- (3) Remove the tri-wheel knob on the laptop shelf to allow the shelf to drop onto the support arm.
- (4) Re-attach the tri-wheel, and tighten to secure the laptop shelf to the support arm.

9. INSTRUCTION: Raising & lowering



(1) To raise or lower the board, use the switch mounted on the rear side of the FREEFRAME FP7 v3.

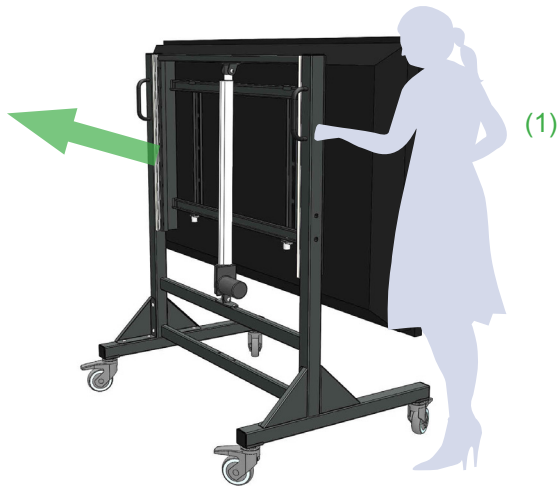


10. INSTRUCTION: Moving FREEFRAME FP7 v3

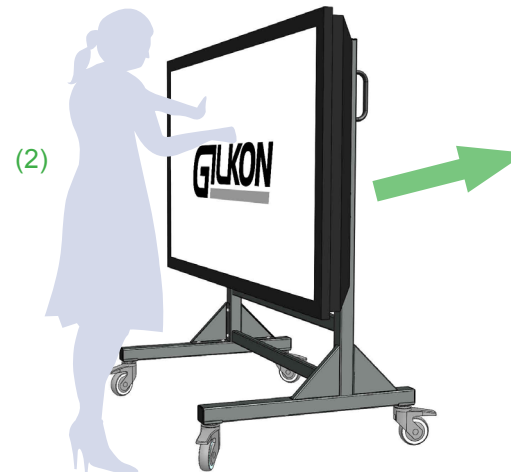


WARNING!

- Wheeling FREEFRAME FP7 v3 in the incorrect way may cause the stand to tip backwards.



(1) Correct way to push the FREEFRAME FP7 v3, from the handles on the side for more stable movement.



(2) Incorrect way of wheeling the FREEFRAME FP7 v3 can cause the stand to become unbalanced and may tip over.